

ITP11/ITP11-G

Universal display 4-20 mA

ak^ytec

The ITP11 is a universal applicable display unit for industrial processes monitoring. Scaling and square root functions are available. The ITP11 is designed to be connected to any sensors or transmitters with 4-20 mA output. It is powered from the signal loop and needs no other power supply. It has a compact, standardized design and fits into a standard 22.5 mm bore-hole for signal lamps. This provides quick and easy installation and many displays can be allocated in a control cabinet door or on a panel.



Functions and features:

- Measurement and display of the standard signal 4-20 mA
- Scaling of measured values
- Damping of the measured signal
- Square root calculation
- Displays alarm for values outside the specified range
- Password protection to prevent unauthorised changes of settings

Areas of application:

The 4-20 mA universal display ITP11 is particularly suitable for the fast and easy installation of visual display systems for various processes, such as water supply or thermal processing. The ITP11's compact size ensures that it can be used on-site as an additional display unit for measurement values or as part of a complex visual display system.

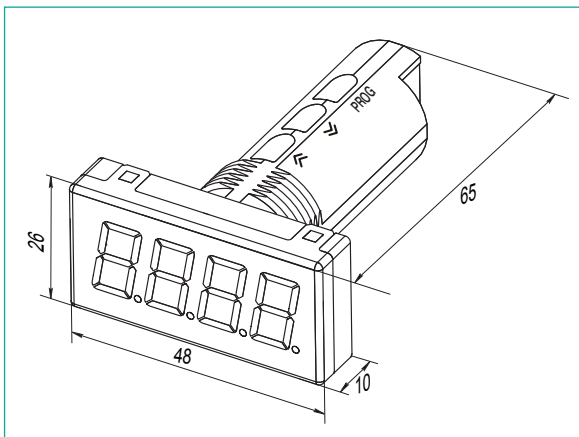
ak^ytec

We will be glad to assist you! Tel.: +49 (0) 511 16 59 672-0

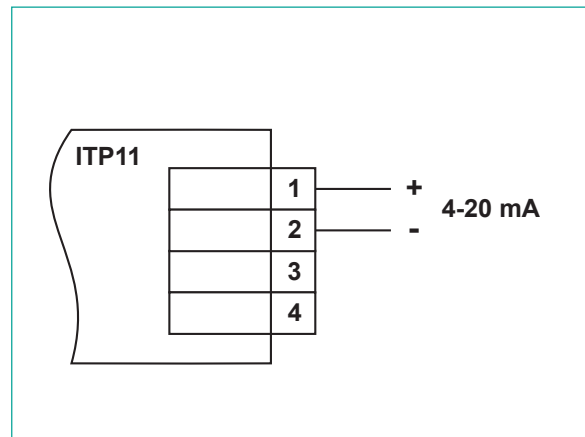
Technische Daten:

Power supply	from current loop
Input signal	4-20 mA (2-wire)
Inputs	1
Measuring range	3.8-22.5 mA
Guaranteed normal operation	3.2-25 mA
Voltage drop (Is=20 mA)	≤ 10V
Accuracy	0.2 % + 1 digit
Display	LED, 7-segment
Character height	14 mm
Display colour	red or green
Number of digits	4
Measuring rate (without damping)	1 reading/s
IP Code	front IP65, enclosure IP20
Dimensions	48 x 26 x 65 mm
Weight	30 g
Protection class	III
Operating temperature	-30...+70 °C
Storage temperature	-40...+80 °C
Humidity	up to 80% (non-condensing)

Dimensions:



Electrical connection:



The akYtec GmbH is a young company from Hanover with a powerful product portfolio. We and our international partners develop and distribute innovative automation technology and industrial electronic products. This includes control panels with CODESYS V3, programmable relays and various digital displays. In our company you can also place an order for customised electronic developments and manufacturing.

akYtec GmbH
 Vahrenwalder Str. 269 A
 30179 Hanover

Tel.: +49 (0) 511 / 16 59 672-0
 Fax: +49 (0) 511 / 16 59 672-9
 info@akytec.de

www.akytec.de

